

🇬🇧 Flow Meters FM3 - FM4 - FM LCD



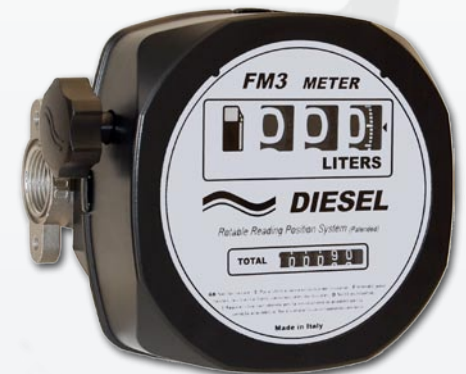
The new flow meters FLUID offer modern solutions designed to simplify their application and to improve their accuracy and reliability.

The innovative RRPS system (Patented), allows a **360° rotation of the reading dial** respect to connections direction and allows to adjust the horizontal reading dial position by simply turning the dial, without any need for mechanical actions on the counter.



The **new concept** of the meter is characterized by the **possibility of applying the same hydraulic unit** on both **mechanical** measuring unit (3 or 4 digits) and **electronic** measuring unit with LCD display. So it's possible, for example, transform the meter from mechanical to electronic, simply by operating on 4 screws and without the need to disconnect the meter hydraulically.

The transmission through **magnetic driven** allows to eliminate the typical dynamic sealing, thus ensuring a secure **sealing over time** and a more **accurate metering** at low flow rates.

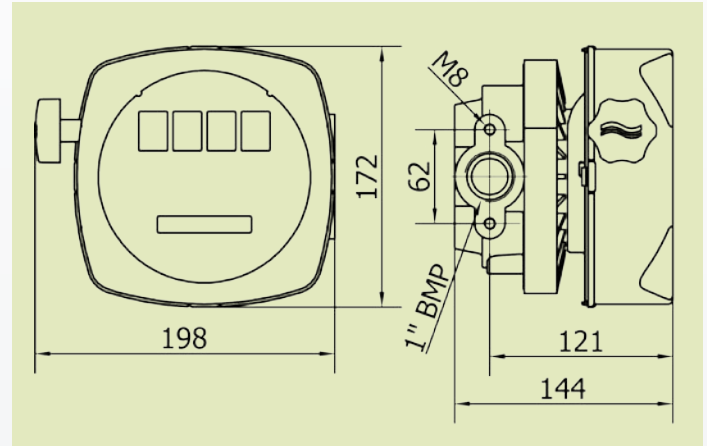


FM3 - FM4

Mechanical flow meters for diesel fuel and low-viscosity lubricants, for private use. The low flow resistance allows high accuracy and correct operation even by gravity. Reliable and robust, the meter is simple to install and calibratable.

Technical Specifications FM3 - FM4

Flow rate	20 - 120 l/min.
Meter mechanism	Nutating disk
Partial read out system FM4/FM3	4 digits/3 digits
Total read out system FM4/FM3	8 digits/6 digits
Operating pressure	5 bar max.
Bursting pressure	28 bar
Accuracy (after calibration)	+/- 1%
Repeatability	+/- 0.3%
Threated connectors	1" G - BSP
Hydraulic group material	Aluminium
Weight	1.8 Kg
Dimensions (bxhxp)	198x172x144 mm



FM LCD

Electronic flow meter for diesel and low-viscosity lubricants, for private use. The low flow resistance allows high accuracy and correct operation even by gravity. Reliable and robust, the meter is simple to install, quickly calibratable electronically and it is capable of measuring the flow rate in liters (L), U.S. gallons (G), Pints (P) and Fourth (Q).

Are available, on request, the display backlight, NPN data output, bi-directional RS 232 data output, external battery feeding and more customization.

Technical Specifications FM LCD

Units	L; US G; P; Q
Flow rate	20 - 120 l/min.
Meter mechanism	Nutating disk
Partial/Total gauge	6 digits
Operating pressure	5 bar max.
Bursting pressure	28 bar
Accuracy (after calibration)	+/- 0.5%
Button battery	3 V
Threated connectors	1" G - BSP
Hydraulic group material	Aluminium
Weight	1.24 Kg
Dimensions (bxhxp)	154x167x90 mm

